

Angle Cryogenic Globe Valve

ST-202E Rev.0.0

VSF6455

Maximum Pressure
100 Barg
Temperature
-196/+100°C



VSF valves are angle globe valves shut-off type with handwheel.

Are suitable for use with cryogenic fluids up to -196°C with the extended bonnet and PTFE packing (PTFE with graphite self-adjusting packing) FIRE SAFE ISO 10497.

The valves are manufactured according to ASME B16.34 and comply with 97/23/EC (PED) standard requirements.

Materials

Body ASTM A 351 CF3/CF8
Extension AISI 304
Leakage PTFE Class VI

Operating Conditions

MOP Max Op. Press. NP 100 Barg.
MOT Max Operative Temperature -196/+100°C

Models/Connections

VSF 6455 BW
VSF 6456 SW
VSF 6457 Female screwed
VSF 6458 Male screwed
VSF 6459 Flanged

Accessories

- Balanced plug
- Limit switch

Applications

- Suitable for cryogenic fluids
- Liquid Oxygen -196°C
- Liquid Nitrogen -196°C
- Air
- LPG & LNG

Characteristics

- Globe valve angle body
- Suitable for cryogenic fluids
- PTFE soft seat Class VI

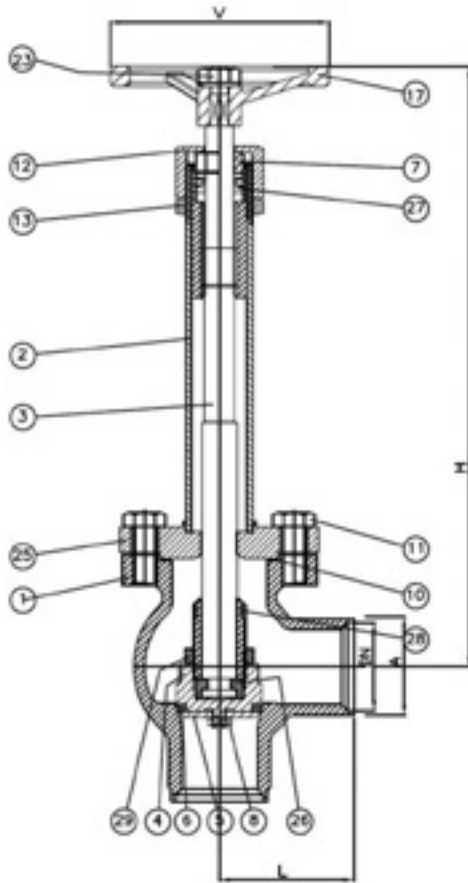


- PT plug
- FIRE SAFE ISO 10497

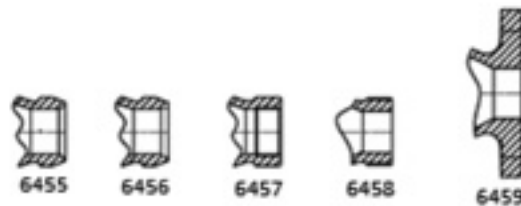


VSF6455 - Angle Cryogenic Globe Valve

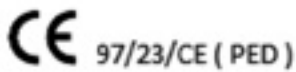
Overall Dimensions and Technical Characteristic



DN	L mm	H mm	A mm	V mm
6-10	25	194	10	120
15	42.5	247	21.3	120
20	50	247	26.9	120
25	52.5	247	33.7	120
32	60	322	42.4	120
40	67.5	356	48.3	120
50	75	356	60.3	120
65	107.5	411	60.3	120
80	140	543	60.3	220
100	147	680	NA	257
150	222.5	680	NA	260
200	279	760	NA	300
250	311	760	NA	350



Certifications



GOST R N.9239

UNI EN ISO 9001:2008
ICIM Certificato N. 0075/5

