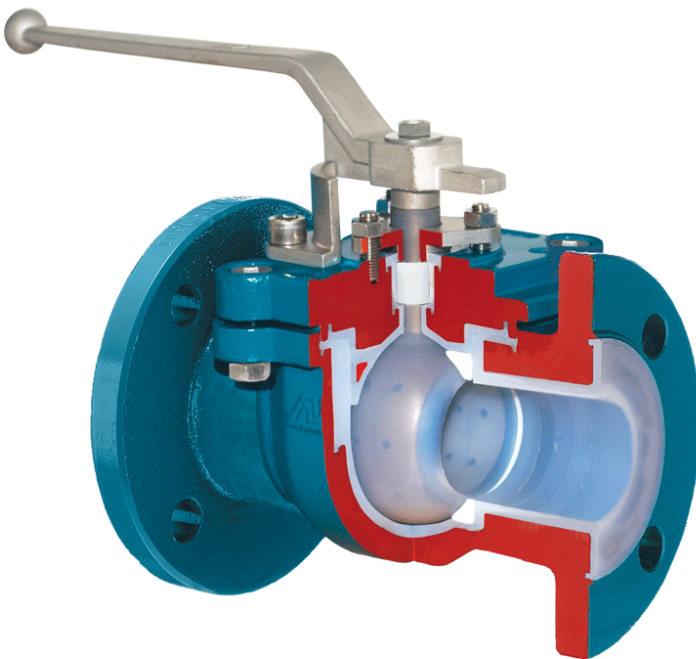


MONOBLOC EXTRA

Two way ball valve with top entry design (one-piece body) with full bore. with chemical-resistant lining and ISO top flange

DIN-EN: DN 15 - 100 / PN 10 - 25
ASME: NPS ½" - 8" / class 150
PT range: $-30 < T < 230^{\circ}\text{C}$



Design Features

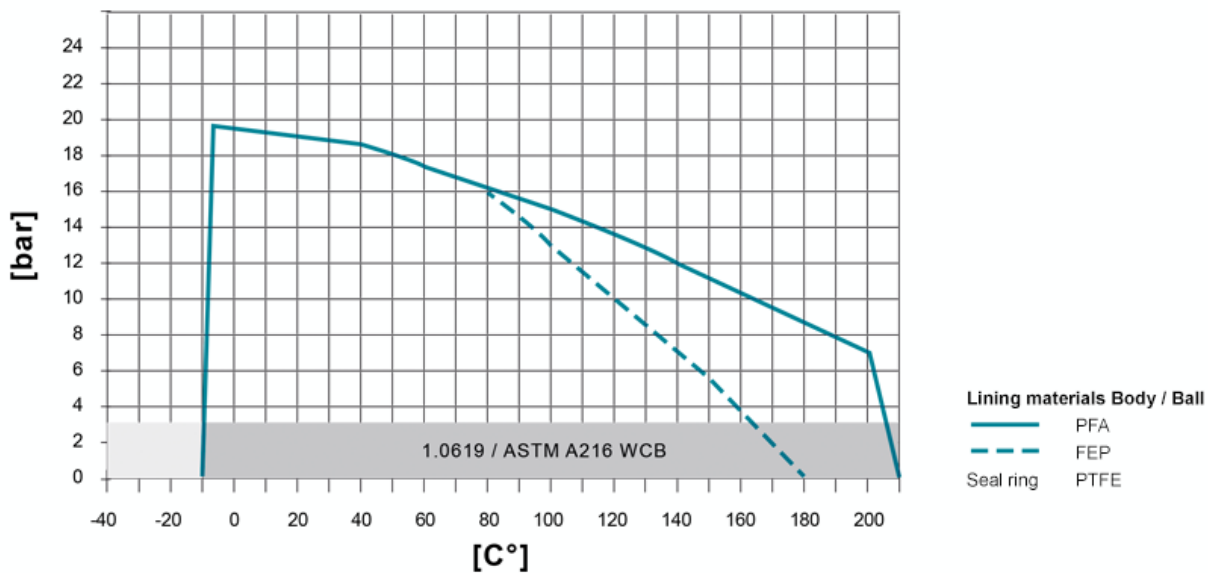
Design Characteristics

- full bore
- one-piece body (MONOBLOC), top entry design
- easy replacement of sealings
- integral ball and stem

- anti-blow-out
- with readjustable stuffingbox packing
- cavity minimized
- maintenance free – self lubricating
- mounting-flange for actuators acc. to DIN ISO 5211
- with chemical resistant lining – thickness min. 3 mm
- fugitive emission resp. clean air act certified (TA – Luft 2002 approval)
- PED 97/23/EG
- FDA conformity

PT-Diagram

General Pressure-Temperature-Diagram



The specified values depend on the respective application (medium). Operating temperatures under -20°C only with body material 1.4408 or low-temperature steel. High pressure resistance / temperature resistance on request, e.g. PN 40.

Sleeve: There are different sleeve materials / compounds available.

Materials

Standard body materials

- Ductile cast iron ENJS 1049, ASTM Gr 60-40-18 / A395

Standard plug materials

- Stainless Steel 1.4308, ASTM A351 CF8

Special materials

- Carbon Steel 1.0619, ASTM A216 WCB
- Stainless Steel 1.4408, ASTM A351 CF8M
- Unalloyed stainless steel casting (low Temp.) 1.1138, LCC/LCB/A352

Lining materials

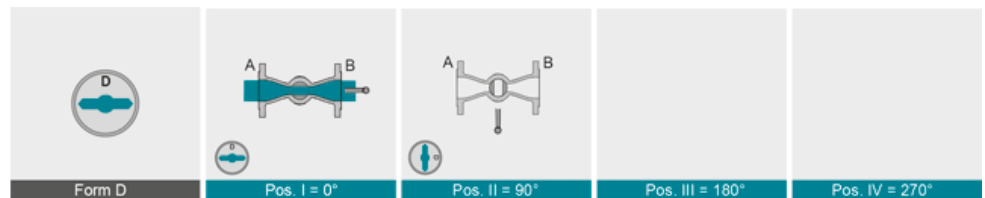
- Body: PFA, PFA-conductive, FEP
- Ball: PTFE, PFA, PFA-conductive, FEP
- Seal Ring: PTFE

Sealing Systems

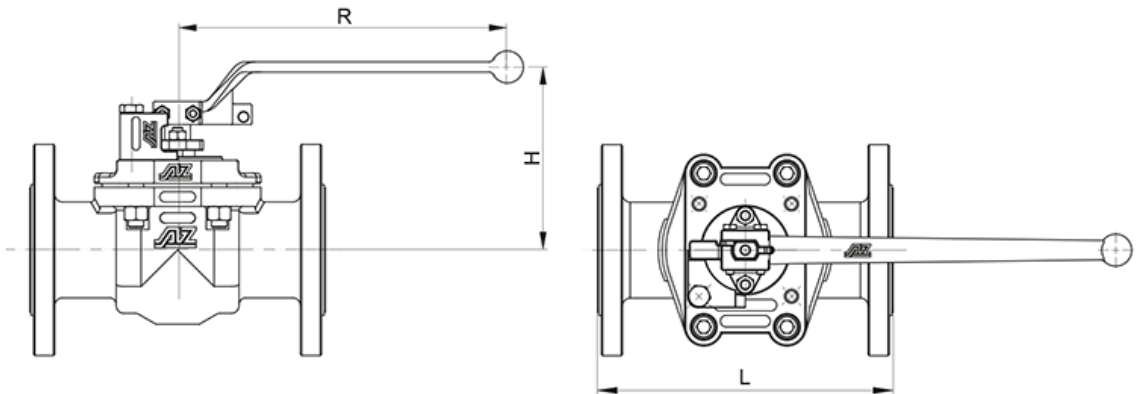
Chemical sealing to prevent fugitive emissions of aggressive and toxic media with PTFE packing for additional stem sealing; T_{max} 230°C

Type CAS

Port Forms



Dimensions



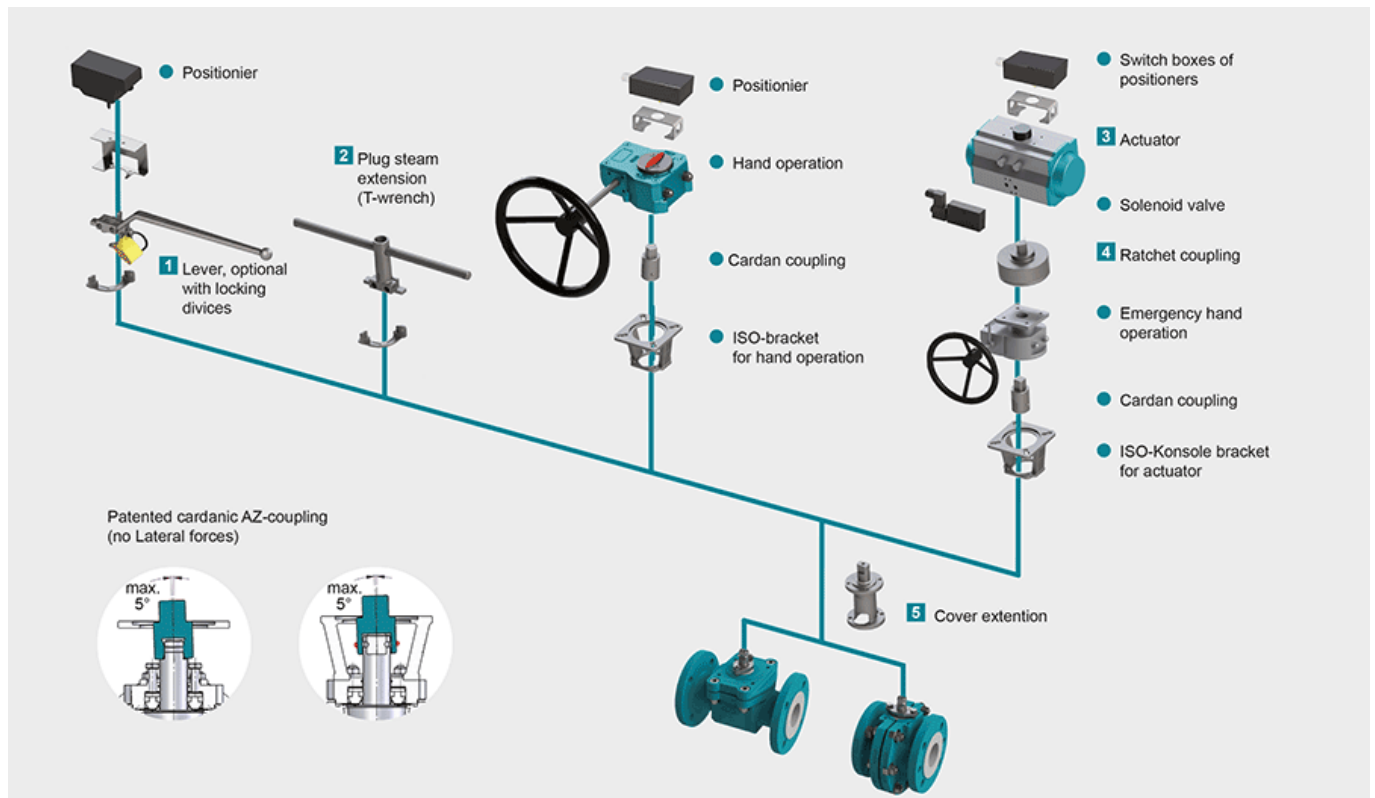
ASME B 16.5 / 16.10 DIN EN 1092/1 / 558-1	DN	PN	L	R	H	ISO-5211 flange	dihedron [mm]	torque* [Nm]	weight [kg]
	25	16	160	230	119	F07	11	45	**
	40	16	200	230	126	F07	11	45	**
	50	10-16	230	320	143	F10	14	50	**
	80	10-16	310	600	199	F12	22	120	**
	100	10-16	350	600	202	F14	22	120	**
	150	10-16	350	600	227	F16	27	160	**
	200	10 16	400	600	277	F16	27	270	**
	NPS	Class	L	R	H	ISO-5211 flange	dihedron [mm]	torque* [Nm]	weight [kg]
	1"	150	165	230	119	F07	11	45	**
1½"	150	190	230	126	F07	11	45	**	
2"	150	216	320	143	F10	14	50	**	
3"	150	282	600	199	F12	22	120	**	
4"	150	305	600	202	F14	22	120	**	
6"	150	403	600	227	F16	27	160	**	
8"	150	502	600	277	F16	27	270	**	

* $\Delta p=10\text{bar}$, recommended safety factor for actuator +40%

** on request

in the flange bores in a few cases

Actuation



1 Locking Devices

Pilot valve combinations, pad lock eyelets, linear key conception, indexing plunger arrestor.

2 Plug stem extension

Solid construction in stainless steel with T-wrench, Standard extension 100 mm or 150 mm, non standard lengths are available on request

3 Actuators

Actuators for mounting-flange acc. to DIN ISO 5211

NEW: Pneumatic actuator AIR GEAR for plug valves with high torque =150.000 Nm

4 Ratched coupling

To usw on multiport valves with standard 90° actuator for bigger switchpositions than 90°

5 Cover extension

Solid construction in stainless steel, Standard extension 100 mm or 150 mm high, non standard lengths are available on request . Hexagonal bolts on adjustment ring freely accessible. Note: Don't use with sealing FSN/FSN-SL and CASN/CASN-SL